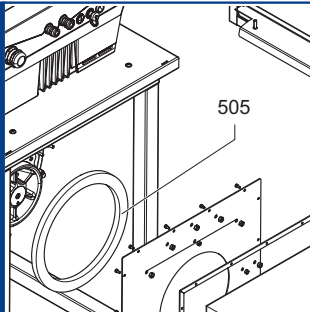


VATP 1600



SERVICE

BECKER
D-42279 Wuppertal
www.becker-international.com

No. **A** ← **Index Variante**

year XXXX

type **VATP 1600-XX**

frequency XXXX Hz

speed XXXX min⁻¹

power required XXXX kW

inlet capacity XXXX m³/h

pressure + XXXX mbar

vacuum - XXXX mbar

Made in Germany



Ersatzteilliste
Spare parts list
Liste de pièces de rechange
Listino pezzi di ricambio
Lista de piezas de recambio
Lista de peças sobresselentes
Reserveonderdelenlijst
Atsarginių dalių sąrašas
Varuosad nimekirja
Rezerves daļu saraksts

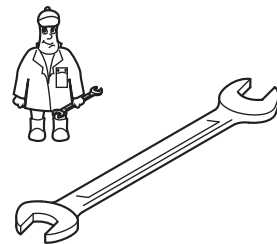
Reservedelsliste
Reservdelslista
Varaosaluettelo
Reservedelsliste
Wykaz części zamiennych
Tartalékalkatrész lista
Seznam náhradních dílů
Seznam nadomestnih delov
Zoznam náhradných dielov
Rezervni dijelovi popis

Lista pieselor de schimb
Páirteanna spártha liosta
Κατάλογος ανταλλακτικών
Yedek parça listesi
Списък на резервните части
Перечень запасных частей
スペアパーツリスト
예비 부품 목록
备用零件目录

SERVICE

www.becker-international.com

Sales and service network



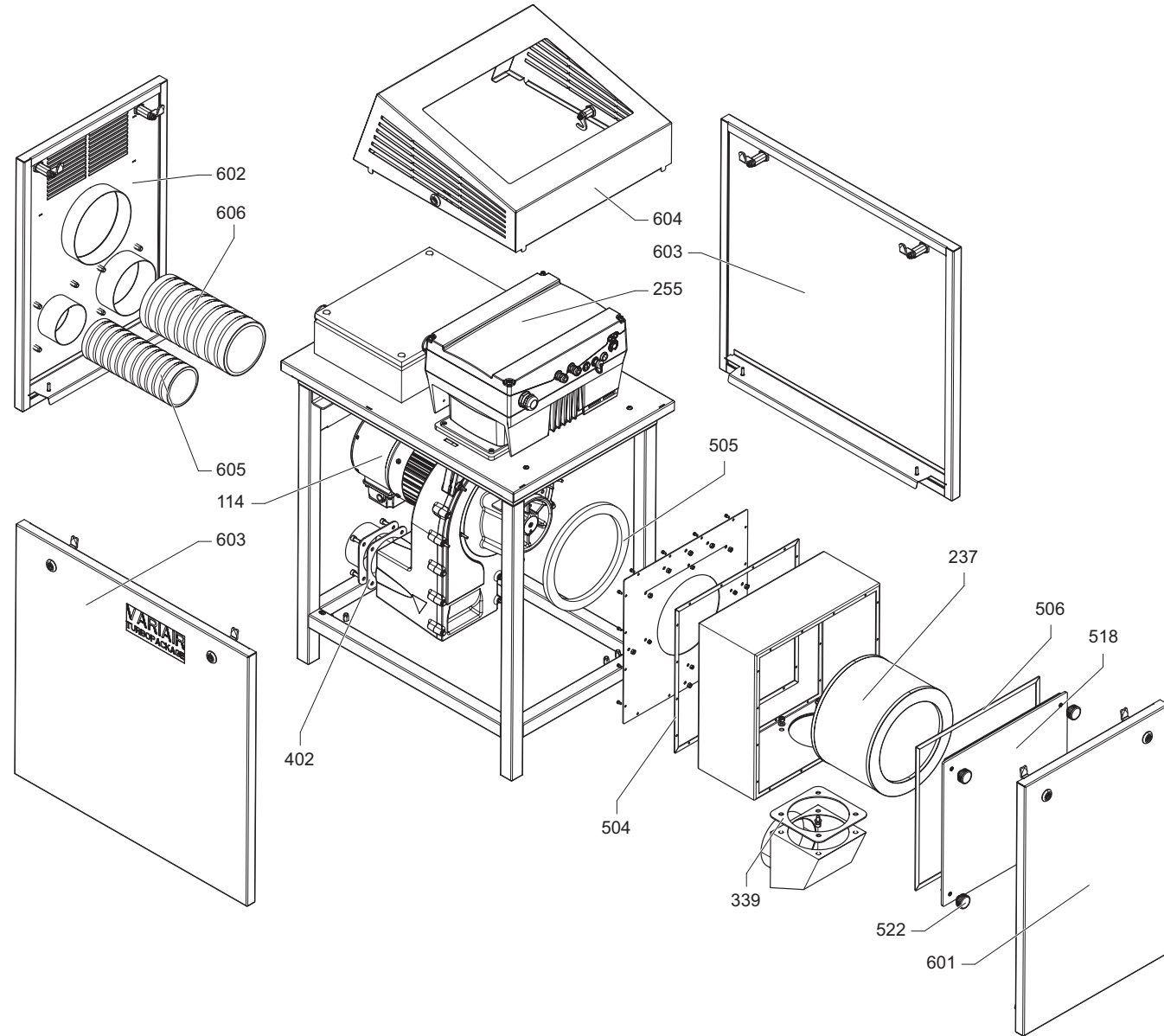
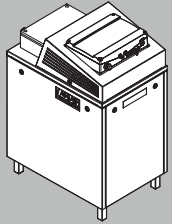
Wartung
Maintenance
Entretien
Manutenzione
Mantenimiento





| Pos. | Menge ¹⁾ Quantity Quantité Quantità Cantidad | Bestell-Nr. Ident No. No. Identification No. Identificazione No. de pedido | Bezeichnung Description Designation Designazione Descripción |
|------|---|--|--|
| 237 | 1 | 740001 21000 | Filterpatrone, Filter cartridge, Cartouche Filtrante, Cartuccia filtro, Cartucho de filtro |


¹⁾ erforderliche Bestellmenge / necessary order quantity / quantité nécessaire / quantità di ordinazione necessari / cantidad necesario


VATP 1600




| INDEX | Pos. | Bestell Nr. | Beschreibung |  |
|-----------|--------------|----------------|--------------------------------|---|
| VATP 1600 | 114 | 758901 03000 | LÜFTER | |
| | 237 | 740001 21000 | FILTER | |
| | 255 | 796302 61115 | FREQUENZUMRICHTER, VAU 11-22/3 | |
| | 339 | 075035 25500 | DICHTUNG | |
| | 402 | 007507 52500 | DICHTUNG | |
| | 504 | 007509 52500 | DICHTUNG | |
| | 505 | 007510 52500 | DICHTUNG | |
| | 506 | 007508 52500 | DICHTUNG | |
| | 518 | 055803 34000 | FILTERDECKEL (PLEXIGLAS) | |
| | 522 | 921500 50000 | HANDGRIFF | |
| | 601 | 028900 52500 | ABDECKUNG VORNE | |
| | 602 | 028901 52500 | ABDECKUNG HINTEN | |
| | 603 | 028902 52500 | ABDECKUNG SEITLICH | |
| | 604 | 028903 52500 | HAUBE | |
| 605 | 528900 52500 | DRUCKSCHLAUCH | | |
| 606 | 528901 52500 | VAKUUMSCHLAUCH | | |

| INDEX | Pos. | Ident No. | Description |  |
|-----------|--------------|------------------|---|--|
| VATP 1600 | 114 | 758901 03000 | VENTILATEUR | |
| | 237 | 740001 21000 | FILTRE | |
| | 255 | 796302 61115 | CONVERTISSEUR DE FRÉQUENCE, VAU 11-22/3 | |
| | 339 | 075035 25500 | JOINT | |
| | 402 | 007507 52500 | JOINT | |
| | 504 | 007509 52500 | JOINT | |
| | 505 | 007510 52500 | JOINT | |
| | 506 | 007508 52500 | JOINT | |
| | 518 | 055803 34000 | COUVERCLE DE FILTRE (VERRE ACRYLIQUE) | |
| | 522 | 921500 50000 | POIGNEE | |
| | 601 | 028900 52500 | CAPOT AVANT | |
| | 602 | 028901 52500 | CAPOT ARRIÈRE | |
| | 603 | 028902 52500 | CAPOT LATÉRAL | |
| | 604 | 028903 52500 | CAPOT SUPÉRIEUR | |
| 605 | 528900 52500 | TUYAU À PRESSION | | |
| 606 | 528901 52500 | TUYAU À VIDE | | |

| INDEX | Pos. | Ident No. | Description |  |
|-----------|--------------|---------------|----------------------------------|--|
| VATP 1600 | 114 | 758901 03000 | FAN | |
| | 237 | 740001 21000 | FILTER | |
| | 255 | 796302 61115 | FREQUENCY CONVERTER, VAU 11-22/3 | |
| | 339 | 075035 25500 | GASKET | |
| | 402 | 007507 52500 | GASKET | |
| | 504 | 007509 52500 | GASKET | |
| | 505 | 007510 52500 | GASKET | |
| | 506 | 007508 52500 | GASKET | |
| | 518 | 055803 34000 | FILTER COVER (ACRYLIC GLASS) | |
| | 522 | 921500 50000 | HANDLE | |
| | 601 | 028900 52500 | FRONT COVER | |
| | 602 | 028901 52500 | REAR COVER | |
| | 603 | 028902 52500 | SIDE COVER | |
| | 604 | 028903 52500 | HOOD | |
| 605 | 528900 52500 | PRESSURE HOSE | | |
| 606 | 528901 52500 | VACUUM HOSE | | |

| INDEX | Pos. | No. Identificazione | Designazione |  |
|-----------|--------------|---------------------|--|---|
| VATP 1600 | 114 | 758901 03000 | VENTILATORE | |
| | 237 | 740001 21000 | FILTRO | |
| | 255 | 796302 61115 | CONVERTITORE DI FREQUENZA, VAU 11-22/3 | |
| | 339 | 075035 25500 | GIUNTO | |
| | 402 | 007507 52500 | GIUNTO | |
| | 504 | 007509 52500 | GIUNTO | |
| | 505 | 007510 52500 | GIUNTO | |
| | 506 | 007508 52500 | GIUNTO | |
| | 518 | 055803 34000 | COPERCHIO DEL FILTRO (VETRO ACRILICO) | |
| | 522 | 921500 50000 | MANETTA | |
| | 601 | 028900 52500 | COPERTURA FRONTALE | |
| | 602 | 028901 52500 | COPERTURA POSTERIORE | |
| | 603 | 028902 52500 | COPERTURA LATERALE | |
| | 604 | 028903 52500 | COPERTURA SUPERIORE | |
| 605 | 528900 52500 | TUBO DI PRESSIONE | | |
| 606 | 528901 52500 | TUBO DI ASPIRAZIONE | | |

| INDEX | Pos. | No. De pedido | Descripción |  |
|-----------|------|---------------|--|---|
| VATP 1600 | 114 | 758901 03000 | VENTILADOR | |
| | 237 | 740001 21000 | FILTRO | |
| | 255 | 796302 61115 | CONVERTIDOR DE FRECUENCIA, VAU 11-22/3 | |
| | 339 | 075035 25500 | JUNTA | |
| | 402 | 007507 52500 | JUNTA | |
| | 504 | 007509 52500 | JUNTA | |
| | 505 | 007510 52500 | JUNTA | |
| | 506 | 007508 52500 | JUNTA | |
| | 518 | 055803 34000 | TAPA DE FILTRO (VIDRIO ACRÍLICO) | |
| | 522 | 921500 50000 | EMPUÑADURA | |
| | 601 | 028900 52500 | CUBIERTA FRONTAL | |
| | 602 | 028901 52500 | CUBIERTA POSTERIOR | |
| | 603 | 028902 52500 | CUBIERTA LATERAL | |
| | 604 | 028903 52500 | CUBIERTA SUPERIOR | |
| | 605 | 528900 52500 | MANGUERA DE PRESIÓN | |
| | 606 | 528901 52500 | MANGUERA DE VACÍO | |